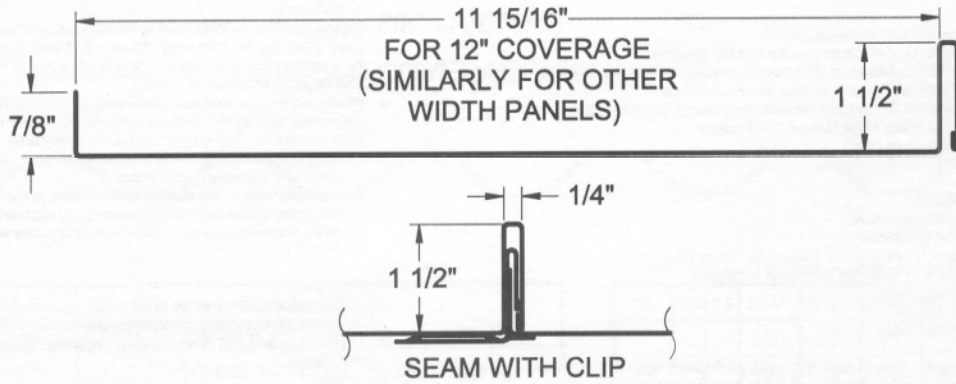


High Seam

ARCHITECTURAL ROOFING



Effective November 20
Revised August 20



ALLOWABLE WIND UPLIFT LOADS (PSF)

| substrate | width | 3.0' | 3.5' | 4.0' | 4.5' | 5.0' |
|--------------|-------|------|------|------|------|------|
| 24 ga. steel | 12" | 53 | 45 | 37 | 29 | 23 |
| 24 ga. steel | 18" | 40 | 33 | 27 | 22 | 19 |
| .032" alum. | 12" | 53 | 45 | 37 | 29 | 23 |
| .032" alum. | 18" | 40 | 32 | 24 | 19 | 16 |

- Notes:
1. Allowable loads based on 1980 edition of AISI specifications.
 2. Deflection is limited to L/240 of span.
 3. Loads are based on spans of 3 or more.
 4. FY = 50 ksi for steel panels.
 5. Uplift values based on attachment to 16 ga. purlins with 2 #10-16 SD ST screws.

DESIGN INFORMATION

The High Seam panels can be custom tapered to a minimum width of 1" and a maximum width of 20". The maximum length of tapered panels is 40'.

The High Seam panels must be installed over a solid substrate.

Minimum recommended roof slope is 2:12.

Fabral does not recommend field curving this panel.

Maximum panel length is 65'.
Minimum panel length (smooth) is 2'.
Minimum panel length (shadow lines) is 4'.

TEST REPORT SUMMARY

UL90 UPLIFT RATING: 20" wide, 24 ga. steel panels with clips installed over 5/8" plywood with butt and side joints sealed with one-part urethane sealant and clips spaced maximum of 18" o.c. with one #10-12 x 1" pancake head, A-point screw per clip. (Construction No. 370).